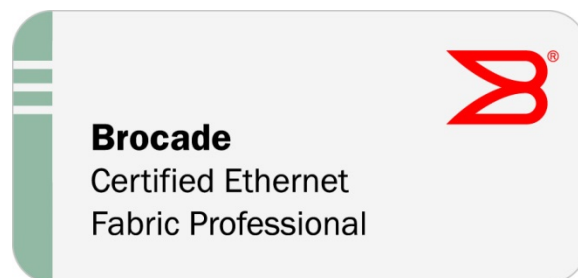




**Brocade Certified Ethernet Fabric Professional 2015
Practice Questions
For Exam 150-820**



Section 1

1) Which two protocols are used to forward L2 traffic within a Brocade VCS Fabric? (Choose two.)

- A) TRILL
 - B) IS-IS
 - C) FSPF
 - D) OSPF
-

2) You want to form a single link aggregation group between a third-party switch and multiple Brocade VDX switches.

Which two conditions must be met? (Choose two.)

- A) The links must be the same speed.
 - B) The nodes must be directly connected to each other.
 - C) The nodes must be in the same VCS fabric.
 - D) Brocade proprietary LAGs must be configured.
-

3) You install three Brocade VDX 6740 switches configured as one Brocade VCS Fabric. You add three links in the same port group between the VDX 6740s.

Which two statements about the links are true? (Choose two.)

- A) Each VDX 6740 pairs will have trunks form.
 - B) An ISL will form between each pair of VDX 6740s.
 - C) Two equal least cost paths to each of the other switches will be listed in the Layer 2 routing table.
 - D) A vLAG will form from each switch to the other two switches.
-

4) Which two statements are true about Network OS integration with VMware vCenter? (Choose two.)

- A) You can configure vCenter integration using either HTTP or HTTPS.
 - B) You can perform vCenter discovery through an in-band Ethernet interface on the same network as the vCenter server.
 - C) You need to enable the Discovery Protocol (CDP/LLDP) on all the vSwitches and dvSwitches in the vCenter inventory.
 - D) You can configure vCenter from any VDX switch in the VCS Ethernet Fabric running in fabric mode.
-

5) Your Brocade VCS Fabric consists of two Brocade VDX 8770s and 10 Brocade VDX 6740s. The current fabric is running in VCS fabric mode. You need to add a VLAN on one switch and have it distributed to all other switches in the fabric.

Which feature is required to accomplish this task?

- A) Auto Migrating Port Profile
 - B) PVST+
 - C) logical chassis mode
 - D) priority flow control
-

6) When traffic is transmitted over a fabric ISL trunk, which two statements are true? (Choose two.)

- A) Traffic is distributed across all links using DWRR.
 - B) Traffic is distributed across all links using hashing.
 - C) Traffic is distributed across all links on a frame-by-frame basis.
 - D) Traffic is distributed across all links on a flow basis.
-

7) You receive a replacement Brocade VDX 6740T that has no management IP address configured on it.

Which port would you use to set the management IP?

- A) an RJ-45 out-of-band port
 - B) an RJ-45 in-band port
 - C) a USB port
 - D) a USB mini port
-

8) What are three Brocade VCS Fabric core technology principles? (Choose three.)

- A) resilience
 - B) VTEP
 - C) automation
 - D) FCoE scalability
 - E) distributed intelligence
-

9) Which three features are provided when you enable Brocade NOS Virtual Fabrics? (Choose three.)

- A) The ability to have overlapping 802.1Q VLANs on the same physical port.
 - B) The ability to have overlapping 802.1Q VLANs in the same Brocade NOS fabric.
 - C) The ability to scale 802.1Q VLANs beyond the 4096 VLAN limit.
 - D) The ability to divide a Brocade VCS Fabric into multiple virtual Brocade VCS Fabrics.
 - E) The ability to tunnel and aggregate multiple VLANs between physical ports.
-

10) Which statement is true regarding Brocade NOS Virtual Fabrics?

- A) Overlapping 802.1Q VLANs can be configured on the same physical port.
 - B) The same service Virtual Fabric VLAN ID can be configured for different 802.1Q VLAN classifications on the same physical port.
 - C) The interface configuration `switchport trunk allow vlan all` and Virtual Fabric VLAN classification is mutually exclusive on the same physical interface.
 - D) The configuration of transport and service Virtual Fabrics are mutually exclusive on the same physical interface.
-

11) You are using VxLANs to extend your L2 domains over your L3 networks.

What is added to the VxLAN to do this?

- A) virtual IP address
 - B) VF VLAN ID
 - C) C-tags
 - D) 24-bit segment ID
-

12) You are required to deploy servers with a single adapter that are attached to your Brocade VDX 6730 running in Access Gateway mode that will communicate with FC SAN attached storage.

Which statement is true?

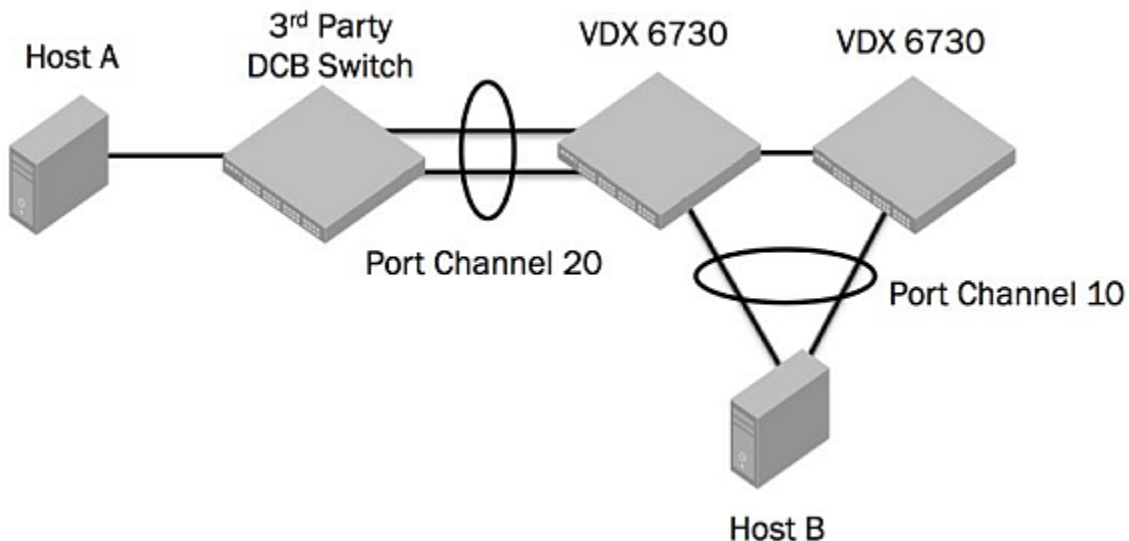
- A) LSNAN zones are required in the FC SAN.
 - B) LSNAN zones are required in the Ethernet fabric.
 - C) Traditional FC zones are required in the Ethernet fabric.
 - D) Traditional FC zones are required in the FC SAN.
-

13) You are required to deploy servers with a single adapter that are attached to your Brocade VCS Fabric to communicate with FC SAN attached storage.

What is required?

- A) VDX 6720
 - B) VDX 6730
 - C) VDX 6710
 - D) VDX 8770
-

Section 2



14) You need to provision FCoE connectivity for the servers shown in the exhibit.

Which two configuration actions must be taken? (Choose two.)

- A) Configure FCOE port on port channel 10.
 - B) Configure FCOE port on port channel 20.
 - C) Configure FCOE port on the interfaces to the 3rd party DCB switch.
 - D) Configure FCOE port on the interfaces to host B.
-

15) You are connecting an existing Ethernet network to a Brocade VCS Fabric. You want to prevent any Layer 2 loops from forming.

Which two features would be used on the Brocade VDX to meet this requirement? (Choose two.)

- A) RSTP
 - B) PVST
 - C) BLDP
 - D) ELD
-

16) When creating a vLAG on a Brocade VDX, which statement is correct?

- A) Physical links must be on separate port groups.
 - B) Physical links must be on the same port groups.
 - C) Physical links can be multiple speeds.
 - D) Physical links must be the same speed.
-

17) You have two Brocade VDX 6740 switches with cables connected in ports 15-18 and 31-34 in each switch to form ISLs between them.

How many trunks will form?

- A) 1
 - B) 3
 - C) 4
 - D) 8
-

18) You are introducing a Brocade VCS Fabric to your network and want to implement a non-modular, top of rack switch with at least 40 GbE uplinks to the core.

Which switch would you use?

- A) VDX 6720
 - B) VDX 6730
 - C) VDX 6740
 - D) VDX 8770
-

19) A customer implements a fault tolerant network and has requested that the data center switches support multiple management modules.

Which two Brocade VDX switches would you recommend for this requirement? (Choose two.)

- A) VDX 6710
 - B) VDX 8770-4
 - C) VDX 6730-6
 - D) VDX 8770-8
-

20) Which two Brocade VDX platforms allow you to deploy 40 servers with lossless iSCSI on a single switch? (Choose two.)

- A) VDX 6710
 - B) VDX 6740T-1G
 - C) VDX 6740T
 - D) VDX 6720-24
-

21)

```
Interface      TenGigabitEthernet 11/0/4
Identifier     3      SFP
Connector     7      LC
Transceiver   0000000000000010 10_GB/s
Name          sw
Encoding      6
Baud Rate     103 (units 100 megabaud)
Length 9u     0      (units km)
Length 9u     0      (units 100 meters)
Length 50u    8      (units 10 meters)
Length 62.5u 3      (units 10 meters)
Length Cu     0      (units 1 meter)
Vendor Name   BROCADE
Vendor OUI    00:05:1e
Vendor PN     57-0000075-01
Vendor Rev    A
Wavelength   850 (units nm)
Options       001a
BR Max       0
BR Min       0
Serial No    AAF212330000J95
Date Code    120816
Optical Monitor yes
Temperature   34 Centigrade
Voltage       3277.2 (mVolts)
Current       7.944 (mAmps)
TX Power     638.5 (uWatts)
RX Power     0 (uWatts)
```

A customer is having a problem forming a Brocade VCS Fabric on interface Te 11/0/4.

Referring to the output, which action will resolve this problem?

- A) Reboot the VDX switch.
 - B) Disable and re-enable port Te 11/0/4 to increase RX power.
 - C) Re-seat transceiver in Te 11/0/4.
 - D) Replace the fiber cable in port Te 11/0/4 to increase RX power.
-

22) A QSFP transceiver in breakout mode consists of how many 10 GbE ports?

- A) 1
 - B) 2
 - C) 3
 - D) 4
-

Section 3

23) You just connected multiple Brocade VCS Fabric mode-enabled switches and you want them to form an Ethernet fabric.

Which two configurations must be applied? (Choose two.)

- A) RBridge IDs must be configured to match all other switches in the fabric.
 - B) VCS IDs must be configured the same as all other switches in the fabric.
 - C) RBridge IDs must be unique to all other switches in the fabric.
 - D) VCS IDs must be unique to all other switches in the fabric.
-

24) A Brocade VDX 6730 is added to an existing three node Brocade VCS Fabric running NOS 4.1. You want to manage all switches in the fabric from the principal switch.

What should you do to accomplish this task?

- A) Enable VCS Logical Chassis mode.
 - B) Enable standalone mode.
 - C) Install a VCS license.
 - D) Enable VCS Fabric mode.
-

25) Which rule determines the principal RBridge election in a Brocade VCS Fabric?

- A) lowest MAC
 - B) lowest WWN
 - C) lowest RBridge ID
 - D) lowest VCS ID
-

26) A principal RBridge fails.

What happens to the VCS virtual IP address?

- A) The newly elected principal switch's management IP becomes the VCS virtual IP address.
 - B) The switch with the highest WWN owns the VCS virtual IP address.
 - C) The switch with the lowest MAC management IP address becomes the VCS virtual IP address.
 - D) The existing VCS virtual IP address will be bound to the newly elected principal switch.
-

27)

```
sw11# show vcs
```

```
Config Mode : Local-Only
```

```
VCS ID : 101
```

```
Total Number of Nodes : 4
```

Rbridge-Id	WWN	Management	IP	Status	HostName
11	10:00:00:05:33:55:64:B3*		10.255.245.7	Online	"VDX11"
12	>10:00:00:05:33:55:5F:73		10.255.245.8	Online	"VDX12"
13	10:00:00:05:33:91:4A:0B		10.255.245.29	Online	"VDX13"
21	10:00:00:05:33:55:5D:F3		10.255.245.12	Online	"VDX21"

You have formed a Brocade VCS Fabric. The fabric has four RBridges.

Referring to the exhibit, which RBridge ID shown in the output is the principal RBridge?

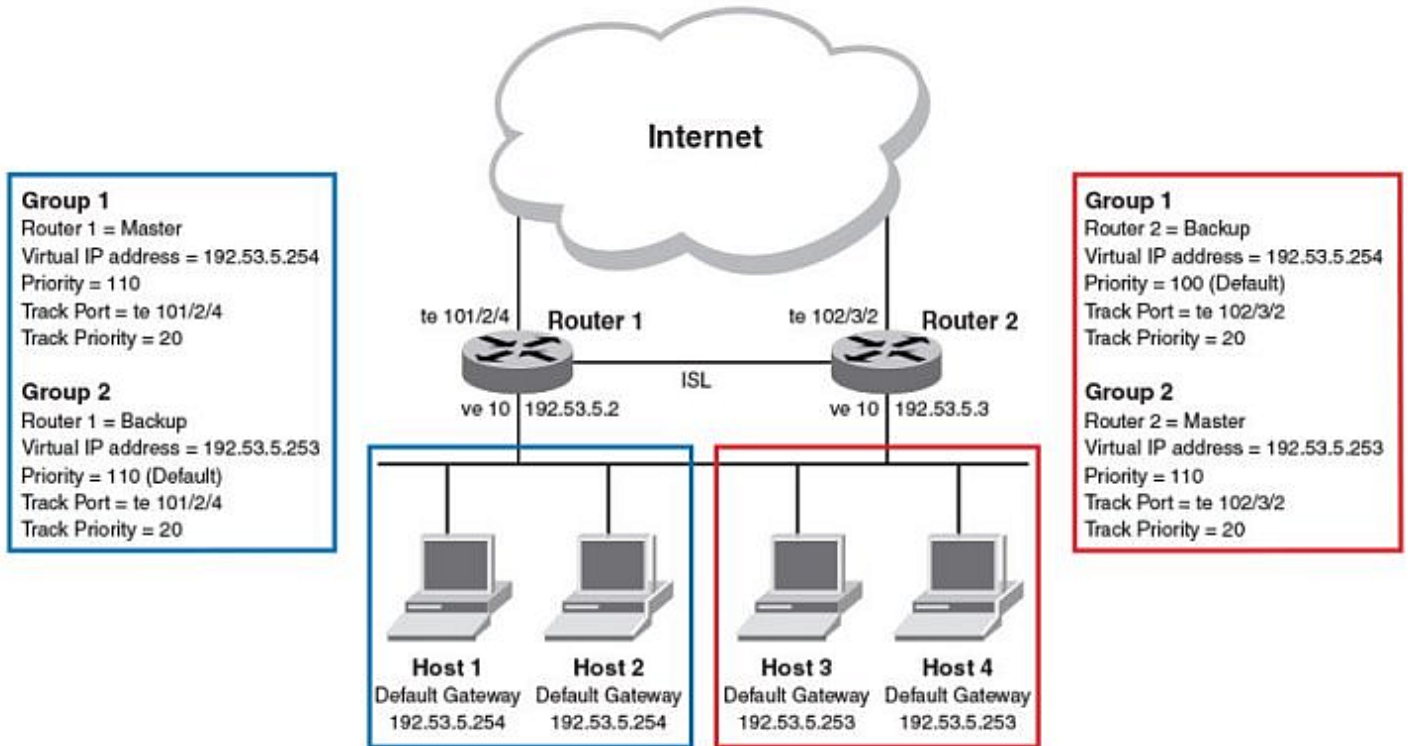
- A) RBridge 11
 - B) RBridge 12
 - C) RBridge 13
 - D) RBridge 21
-

28) A customer wants to connect a group of servers to different VDXs in a three switch Brocade VDX 6740 fabric. All servers should have one gateway and should failover if one switch is taken offline for maintenance. The individual VDX should forward all packets to the destination from the VDX that receives them.

How should this solution be implemented?

- A) Create VRRP with a master and two standby instances.
- B) Create VE interfaces on each VDX and assign a primary and backup IP to each.
- C) Create a default static route on each VDX for the gateway.
- D) Create VRRP-E with an instance on each VDX and enable short path forwarding.

29)



Router 2 has failed. You want to know what will happen when Host 3 tries to send traffic to the Internet.

Referring to the exhibit, which statement is correct?

- A) Host 3 can send traffic to the Internet through Router 1.
- B) Host 3 cannot send traffic because the ISL link is down.
- C) Host 3 can send traffic but the priority set on Router 1 will drop some traffic.
- D) Host 3 cannot send traffic because Router 1 was not tracking the correct port.

30)

```
VDX8770_3-131# sh port-c 123
LACP Aggregator: Po 123
Aggregator type: Standard
Ignore-split is enabled
Admin Key: 0123 - Oper Key 0123
Partner System ID - 0x0000,00-00-00-00-00-00
Partner Oper Key 0000
Member ports on rbridge-id 131:
Link: Te 131/2/16 (0x8318880086) sync: 0
```

```
VDX8770_3-131# show running-config interface Port-channel 123
interface Port-channel 123
 vlag ignore-split
 switchport
 switchport mode trunk
 switchport trunk allowed vlan add 10,30
 switchport trunk tag native-vlan
 spanning-tree shutdown
 no shutdown
```

Referring to the exhibit, which statement is correct?

- A) This interface has only VLANs 10 and 30 assigned.
 - B) This interface will tunnel spanning-tree BPDUs.
 - C) This is a vLAG.
 - D) This interface has formed an LACP adjacency with the partner system.
-

31) You are designing a network with Brocade VCS Fabrics. You must support four 10 Gbps Brocade trunking ports in between the VDX switches. You need to determine which interfaces to connect.

What are two solutions? (Choose two.)

- A) VDX 8770 interface Te 1/2/33-36 to VDX 6740 interface Te 2/0/1-4
 - B) VDX 6740 interface Te 1/0/18-21 to VDX 6730-76 interface Te 2/0/21-24
 - C) VDX 8770 interface Te 1/1/30-33 to VDX 8770 interface Te 2/1/30-33
 - D) VDX 6740 interface Te 1/0/11-14 to VDX 6730-32 interface Te 2/0/11-14
-

32) Your task is to configure remote server authentication in all of the switches in your Brocade VCS Fabric running NOS 4.1.1.

Which protocols would you use to accomplish this task? (Choose three.)

- A) DH-CHAP
 - B) RBAC
 - C) RADIUS
 - D) AD/LDAP
 - E) TACACS+
-

33) What information would be found in a port profile?

- A) LLDP information
- B) LAG information
- C) SPAN information
- D) ACL information

Port profiles are used for FCoE, VLAN QoS and security configuration of a port when a MAC address is detected on that port, thus ACL (for security) is the correct answer.

34) You need to deploy several FCoE initiators to communicate to existing FC targets attached to a FC backbone SAN using FCR.

Which two statements are true about deploying the solution? (Choose two.)

- A) Use a Brocade VDX 6730 switch.
 - B) Install an Integrated Routing license on the FC SAN switch.
 - C) Install an Integrated Routing license on a VDX 6730 switch.
 - D) Configure LSAN zones.
-

35) You provided prioritization of customer's traffic in your data center. Not all customers pay for this service and you want to prevent any customers from setting their own QoS markings on their servers.

Which three features on the Brocade VCS Fabric would you use to accomplish this task? (Choose three.)

- A) DSCP Mutation Map
 - B) DSCP-to-CoS Mutation Map
 - C) DSCP Trust
 - D) DCB Priority Table Map
 - E) CoS Mutation Map
-

Section 4

36) A customer has configured sFlow on a four node VCS cluster which includes one Brocade VDX 8770 and three VDX 6740T-1G switches. The customer sees sFlow samples from all the interfaces on the VDX 8770 but is not seeing sFlow samples from the 1 GbE interfaces on the VDX 6740T-1G switches.

Which statement is correct?

- A) sFlow on 1 GbE interfaces is not supported on the VDX 6740T-1G.
 - B) sFlow will not work on a VDX with both 1 GbE and 10 GbE interfaces.
 - C) Only Brocade Network Advisor can collect sFlow data from 1 GbE interfaces.
 - D) sFlow must be configured for a lower sampling rate on 1 GbE interfaces.
-

37) You are asked to provide time-based sampling of interface counters and statistical sampling of switched packets.

Which protocol supports these requirements?

- A) SNMP
 - B) sFlow
 - C) OpenFlow
 - D) RMON
-

38) You are not receiving any encrypted SNMP notify messages from your Brocade VCS Fabric.

Which two actions must be configured in the fabric? (Choose two.)

- A) Define an SNMPv3 user.
 - B) Define an SNMPv3 contact.
 - C) Define an SNMPv3 group.
 - D) Define an SNMPv3 host.
-

39) Which three steps are required for a firmware upgrade from a USB flash drive? (Choose three.)

- A) Turn on the USB port.
 - B) Remove the node from the Brocade VCS Fabric.
 - C) Place the firmware files in the root of the USB drive.
 - D) Place the firmware files in the firmware directory.
 - E) Issue the `firmware download usb` command.
-

Section 5

40)

```
RB2(config)# do show mac-address-table port-profile
VlanId Mac-address      Type      State  AMPP          Ports
100     0050.56bf.0001  Dynamic  Active  Profiled (T)  2/0/4
100     0050.56bf.0114  Dynamic  Active  Profiled (UC) 2/0/4
```

In the exhibit, both MAC addresses are assigned to interface 2/0/4.

What does the (UC) indicate?

- A) Conflicting port profiles were activated on interface 2/0/4.
 - B) Untagged frames from MAC 0050.56bf.0114 will be tagged.
 - C) MAC 0050.56bf.0114 is already assigned on another VLAN.
 - D) MAC 0050.56bf.0114 is already assigned to another interface.
-

41)

```
sw0# show fabric islports
Name:      sw0
Type:      96.5
State:     Online
Role:      Fabric Principal
VCS Id:    10
Config Mode:Distributed
Rbridge-id: 4
WWN:       10:00:00:05:33:91:48:f7
FCF MAC:   00:05:33:91:48:f7
<truncated output>
```

```
sw0# show fabric islports
Name:      sw0
Type:      96.5
State:     Online
Role:      Fabric Principal
VCS Id:    2
Config Mode:Distributed
Rbridge-id: 20
WWN:       10:00:00:05:33:90:92:e4
FCF MAC:   00:05:33:90:92:e4
<truncated output>
```

You are attempting to merge two Brocade VDX switches running in fabric mode, but they segment.

Referring to the output, what is the reason?

- A) VCS ID conflict
 - B) Role conflict
 - C) RBridge ID conflict
 - D) Config Mode conflict
-

42) You see a large number of alerts in Brocade Network Advisor on a Brocade VDX switch. You are asked to gather information by running the `copy support` command to send to technical support for analysis.

What are three ways to save the output? (Choose three.)

- A) Brocade-branded USB flash drive
 - B) SCP
 - C) SFTP
 - D) SSL
 - E) FTP
-

43) You are asked to add a Brocade VDX 6740 switch into an existing Brocade VCS Fabric that contains only VDX 6740 and 8770 switches running NOS 4.1.0 with a VCSID of 20. You configure the new switch assigning it an RBridge ID by entering the `vcs rbridge-id 4` command but the switch is not allowed to join the fabric.

Which two conditions will keep the switch from joining the fabric? (Choose two.)

- A) A duplicate RBridge ID exists in the VCS Fabric.
 - B) The VCS Fabric license is not installed on new switch.
 - C) There are 24 RBridges already in the fabric.
 - D) The new switch VCSID does not match the existing VCS fabric ID.
-